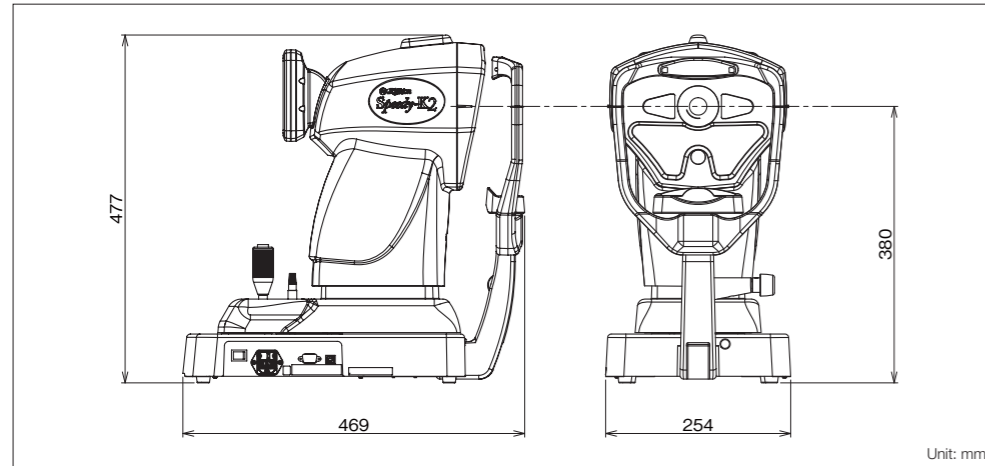


Dimensions



Specifications

| Refractometry | |
|--------------------------------|---|
| Measurement range | SPH: -20.00D to +23.00D (AUTO / 0.12D / 0.25D increments) CYL: 0D to ±12.00D (0.12D / 0.25D increments) Axis: 0 to 180° (1° increments) |
| Minimum pupil diameter | ø2.3 mm |
| Vertex distance | 0 and 12, 13.5, 13.75, 15 or 16 mm |
| PD measurement | 1 to 83 mm |
| Fixation chart | Fire work & Road; high/mid/low intensity |
| Pupil size reading range | 2.0 to 12.0 mm |
| Keratometry | |
| Measurement range | Radius curvature: 5.00 to 11.00 mm Corneal astigmatism: 0.00D to 12.00D Axis: 0 to 180° |
| Measurement area | Center: ø3.2 mm (R 8.0 mm) Peripheral: 25° ø6.8 mm (R 8.0 mm) |
| Corneal size measurement range | 0 to 16.0 mm |
| General | |
| Data storage | 50 persons (100 eyes) |
| Display | 5.7-inch color LCD touch panel (tilt 0 to 45°) |
| Interface | RS232C, USB, IR |
| Dimension | 254 (W) x 469 (D) x 447 (H) mm |
| Weight | Approx. 13 kg |
| Power supply | AC100 - 240V 50/60Hz |
| Power consumption | 40VA |

Print sample

```

-- ID:000000002 --
-- No.00001 -----
          14.01.22  8:22AM
Name:
VD:12.0  PD:63.5  CHART:M
-REF-
[R]  SPH   CYL   AX
    -0.62 -0.62 130
    -0.50 -0.62 134 AQ
    -0.75 -0.50 131 AQ
    -0.75 -0.50 129 AQ
    -0.62 -0.62 129

* -0.62 -0.62 130 10
  (S+C/2 = -0.87)
  x: 4.4 y: 4.3
[L]  SPH   CYL   AX
    -2.00 -0.50 23
    -2.00 -0.50 25
    -2.00 -0.50 33
    -2.00 -0.50 32
    -1.75 -0.50 34

* -2.00 -0.50 32 9
  (S+C/2 = -2.25)
  x: 3.9 y: 3.8
-KER-
[R]  R1   R2  AX1 AX2
    * 8.04 7.81 159 69
      mm  D
      R1 8.04 42.00 159
      R2 7.81 43.25 69
      AV 7.92 42.62
      CYL -1.25 159
[L]  R1   R2  AX1 AX2
    * 8.18 7.93 14 104
      mm  D
      R1 8.18 41.25 14
      R2 7.93 42.50 104
      AV 8.05 41.87
      CYL -1.25 14

-KER(PERI)-
[R]  H   mm  D
      V 7.83 43.12
  (25°)
      T 8.18 41.25
      N 8.12 41.62
      S 8.11 41.62
      I 7.96 42.37
      E(H) 0.475
      E(V) 0.591
      E(AV) 0.544
[L]  H   mm  D
      V 7.94 42.50
  (25°)
      T 8.32 40.62
      N 8.35 40.37
      S 8.26 40.87
      I 8.17 41.25
      E(H) 0.520
      E(V) 0.676
      E(AV) 0.610
-R Cyl-
[R]  CYL  AX
    +1.00 173
[L]  CYL  AX
    +0.87  4

RIGHTON SPEEDY-K2
  
```

Righton

Auto Refract-Keratometer

Speedy-K2



UL Classified.
See complete marking on product.



WARNING: To ensure correct usage, read all manuals carefully before using equipment

Specifications and equipment are subject to change without any notice or obligation on the part of the manufacturer.
The information in this brochure is correct as of September 2013.

© 2014 RIGHT MFG. CO., LTD.

RIGHT MFG. CO., LTD.

Ophthalmic Sales
1-47-3, Maeno-cho, Itabashi-ku, Tokyo 174-8633, Japan
Tel: +81-3-3960-2275 Fax: +81-3-3960-2285
e-mail: eigyousitsu@rightmfg.co.jp

TOHOKU RIGHT MFG. CO., LTD.

Ophthalmic Service
45-1, Aza-yashikimae, Nakamura Osato-cho, Kurokawa-gun,
Miyagi 981-3521, Japan
Tel: +81-22-359-3113 Fax: +81-22-359-3213

Printed in Japan (1402-03)TI

Made in JAPAN

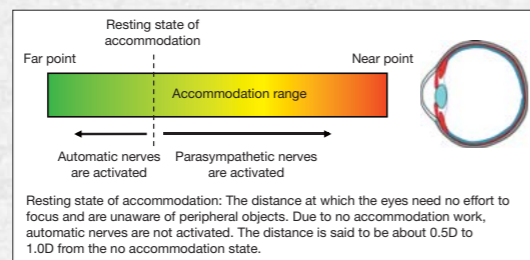
Simple and stable, with the fastest measurement

Righton original retinoscopy measurement principle achieves extremely fast auto REF/KER measurement

Measurement speed is 30% faster than the Speedy-i/K. (REF: 125 ms/7 times, KER: 260 ms/1 time)
Measurement begins immediately after alignment. In addition to KER/REF continuous measurement, auto and continuous peripheral kerato measurement are also conducted. The pupil distance is automatically detected. Each measurement can not only be manually operated but also set to start by a single joystick operation for high-speed measurement.

The resting state of accommodation function **NEW**

Speedy-K2 displays spherical equivalent values as graphs that are continuously measured every 30 seconds. The resting state of accommodation is automatically calculated and printed out.



A2 Selective fogging method **NEW**

In addition to normal fogging, more precise fogging is possible by selecting A2 using the measurement mode key. This kind of fogging is useful for reading the eyes of patients with unstable eyes etc.

Various auxiliary functions for stable measurement

Righton original unique fixation system **NEW**

The light intensity can be changed with 3 steps. H (high) is added to measure unstable pupils (conventional H is the same as M with K2). The unique fireworks picture chart enables astigmatism patients to focus on any of the meridian lines so that the patient can follow the picture. When the pupil diameter is smaller than 3mm, the light intensity drops automatically.



Pupil size measurement

Pupil size can be measured during a refraction reading to allow for differences in eye pigmentation.

Auto Quick mode and manual switch mode

Automatically starts even faster, a useful feature for restless patients, such as children and patients unaccustomed to treatment. When slower measurement is needed for any reason, manual switch mode is available by setting Auto Start to off, then measurement starts only when the joystick's button is pressed.

Cornea diameter can be also measured (0 – 16 mm)

Auto calculation of residual astigmatism

During REF/KER measurement, residual astigmatism is automatically calculated and printed out. This is necessary for astigmatic contact lens prescriptions and astigmatic IOL.

Retro Illumination mode

When measurement is unstable, opaque media such as cataracts can be detected using the monitor.



Easy-to-operate 5.7 inch color LCD touch panel **NEW**

Intuitive operation
Easy input of patient ID



- Touch panel SW function
- ① Easy input of patient ID
 - ② Easy switching between REF, KER, R/K, R/K/P and K/P
 - ③ Easy switching of measurement modes
 - ④ Changes fixation chart brightness
 - ⑤ Changes the VD value
 - ⑥ Pupil center measurement
 - ⑦ Cornea measurement
 - ⑧ Data sending
 - ⑨ Enters retro mode
 - ⑩ PRINT
 - ⑪ Setting

LCD with 45-degree tilt for free measurement posture **NEW**

The LCD can be tilted (0-45 degrees), allowing the examiner to conduct measurements from a standing or seated position. This allows the examiner to adjust instruments while checking the monitor.

Easy changing of printer paper

To change printer paper, simply insert the paper roll and close the cover.



Low power consumption, lightweight and efficient design

Power consumption: 40VA (approx. 35% less than conventional models)
Weight (main body): 13 kg (approx. 10% lighter than conventional models)
Printout content is re-aligned to save printing paper.

Save measurement data of 50 patients

REF/KER measurement data of up to 50 patients (100 eyes) can be saved.



The best combination for Remote Vision RV-II

Wireless transfer of measurement data with RV-IIs is possible.



i-Media

With i-Media, data communication with devices in other rooms is possible.