



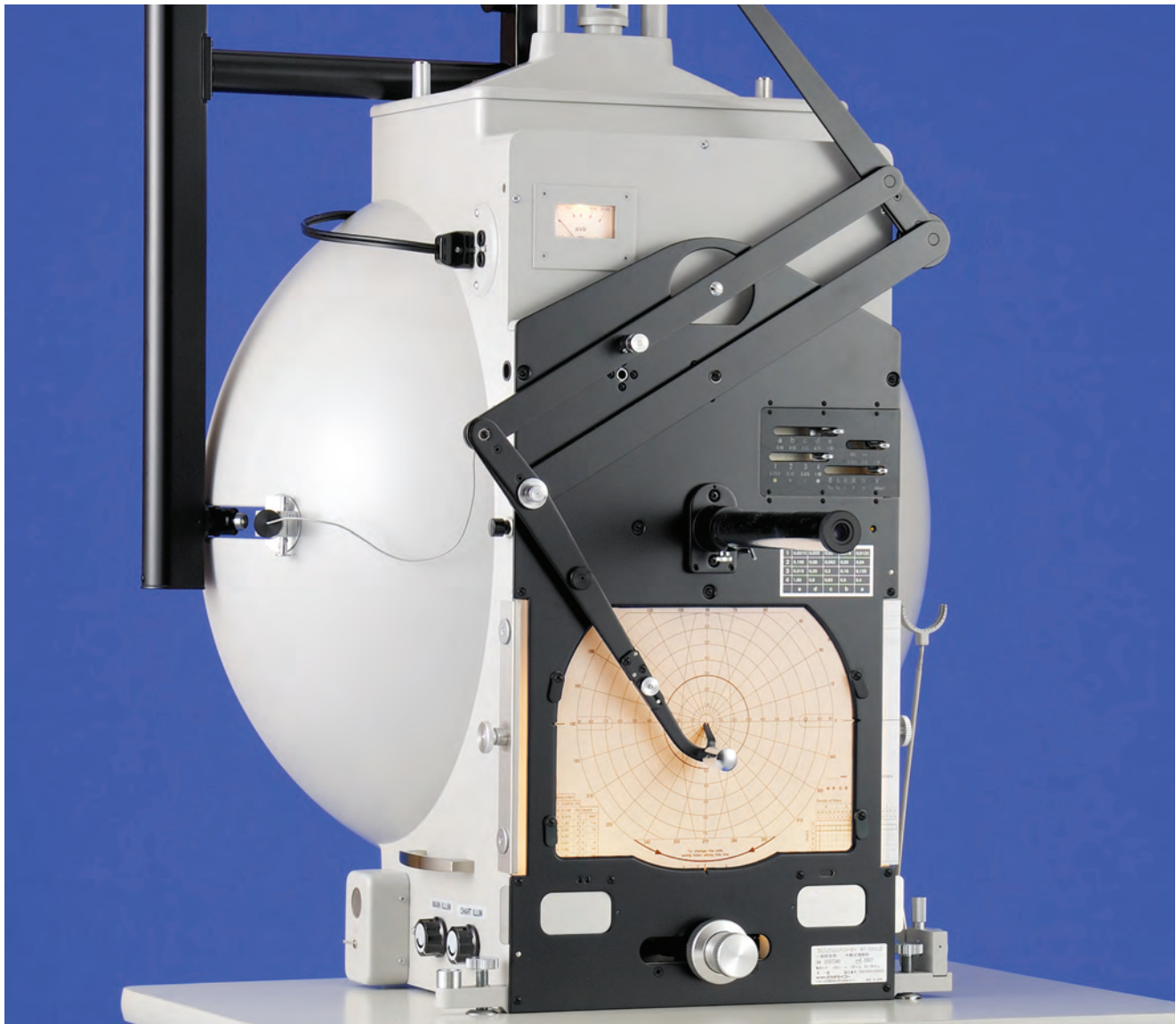
Projection Perimeter MT-325UD

Aiming at new levels in quality



Projection Perimeter MT-325UD

Perimeter, the foundation of visual field testing



- ★ The MT-325UD perimeter is effective in detecting not only glaucoma but also various other visual field abnormalities.
- ★ Takagi's perimeters boast several decades of outstanding performance.



1 Excellence in glaucoma testing

MT-325UD is exceptional in detecting and assessing a wide range of glaucoma from early to advanced stages. It can also be used to perform kinetic quantitative perimetry in middle-stage glaucoma, where peripheral visual field defects start to appear, as well as in advanced glaucoma. This provides an articulate assessment of a patient's visual field.

2 Light and smooth stimulus movement

With MT-325UD, the test stimulus can be moved smoothly to a given position during the examination.

3 Benefits of manual perimetry

Unlike with the automated versions where testing progresses automatically, manual perimetry allows the examiner to communicate with the examinee during the testing process. This will ease the pressure or fatigue the examinee may feel, facilitating more successful test results.

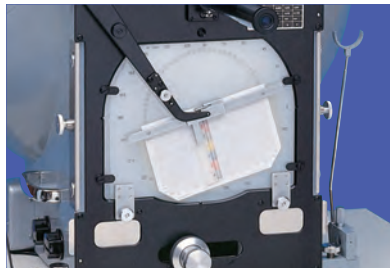
4 Exact brightness

One of the crucial parameters in perimetry is precision in the stimulus intensity. As MT-325UD has a light meter built in, the intensity of the stimulus can easily be checked at anytime. Being illuminated, the light meter on MT-325UD can be read clearly even in a dark room.

Optional attachments and features (sold separately)

High-precision Static Quantitative Perimetry Attachment

Further detailed testing can be performed by sectioning the "island of vision" plotted by kinetic quantitative perimetry.



Highly-sensitive Flicker Perimetry Attachment

Flickering stimuli make it possible to detect early-stage disorders in the third-order neurons such as optic neuropathy. The flicker frequency is variable between 10 and 60Hz.



Convenient Automatic Recorder

Once the examinee presses the response button, the Automatic Recorder starts plotting on the recording paper automatically. The examiner can concentrate on testing as there is no need to operate the test stimulus with one hand while recording the results with the other.

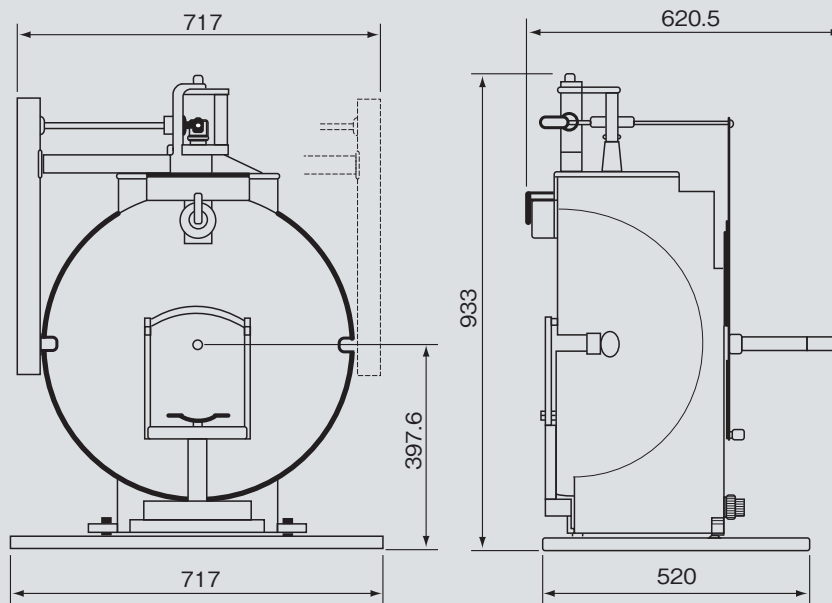




Specifications

Type	Hemispherical projection perimeter
Measuring range	90 degrees (temporal) / 70 degrees (superior/inferior)
Testing distance	300 mm (spherical radius)
Background luminance	31.5 asb
Stimulus intensity	1000asb
Neutral density filter	Variable in 4 steps at 0.0315, 0.10, 0.315 and 1.00
	Variable in 5 steps at 0.40, 0.50, 0.63, 0.80 and 1.00
	Variable in 3 steps at 0.0001, 0.01 and 1.00
	* Stimulus intensity can be varied in 60 settings by combining the neutral density filters above.
Stimulus sizes (in area)	1/16, 1/4, 1, 4, 16 and 64 mm ²
Light meter	0 to 2,000 asb
Light bulbs	6V, 4.35A (stimulus)
	8V, 1A (recording paper lighting)
Power consumption	100VA
Dimensions	See below
Weight	41 kg (main unit only)

Dimensions



● Design and specifications are subject to change as improvements are made to the product.

 **TAKAGI SEIKO CO.,LTD.**

330-2 IWAFUNE, NAKANO-SHI, NAGANO-KEN, 383-8585, JAPAN
TEL.+81-269-22-4512 FAX.+81-269-26-6321
URL:<http://www.takagi-j.com> E-mail:info@takagi-j.com

